

**DATE**

January 28, 2026

**OWNER**

Seeley County Water District  
1898 W Main Street  
Seeley, CA 92273

**SUBMITTAL**

Green Benches Installation

# **Green Benches**

## **SUPPLIER**

Zoom Recreation  
4000 Barranca parkway Suite 250-659  
Irvine, CA 92604

# Site Amenities

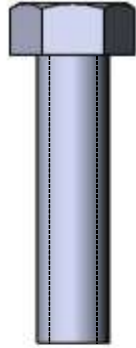
BY SUPERIOR RECREATIONAL PRODUCTS



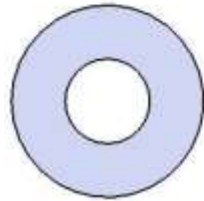
Model #  
B6WBARS-ST

 **SUPERIOR**<sup>®</sup>  
RECREATIONAL PRODUCTS  
A PLAYCORE Company

# HARDWARE



3/8" x 1-1/2"  
MACHINE BOLT

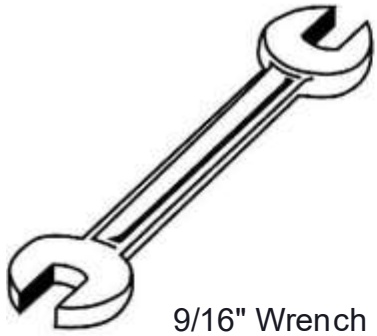


3/8" FLAT WASHER



3/8" KEPNUT

## TOOLS REQUIRED



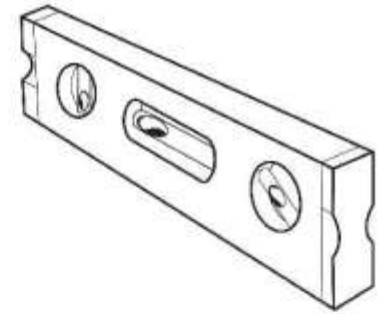
9/16" Wrench



9/16" Socket Wrench



Tape Measure



Level

# PRODUCT SPECIFICATIONS

## **B6WBARS-ST ARCHES INGROUND MOUNT BENCH**

Seat & Back: Both are fabricated from 1 1/2" x 1/4" flat steel strips. Reinforced with 1/4" thick support ribs. End Planks are made from 1-1/2" x 3-1/2" steel oval tubing.

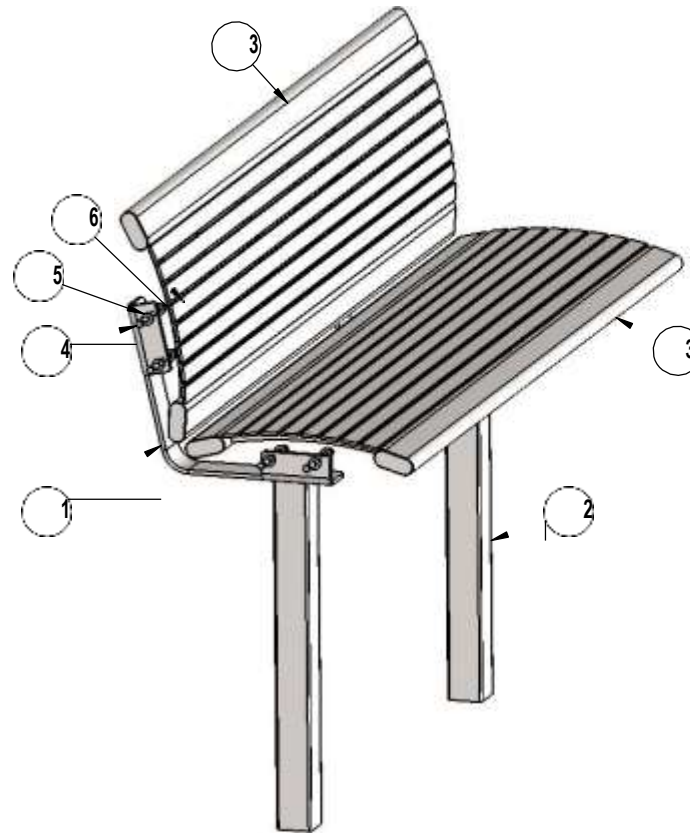
Frame: 3" x 3" square x11 gauge structural steel tubing. All electrically MIG welded.

Coating: Electrostatic powder coated application oven cured.

Dimensions: 6' inground bench with back. Seat is 20" wide x 71" long. Seat height is 18" from the ground to the top of the seat. The overall dimensions are 71" x 25-11/16" x 51-5/16"

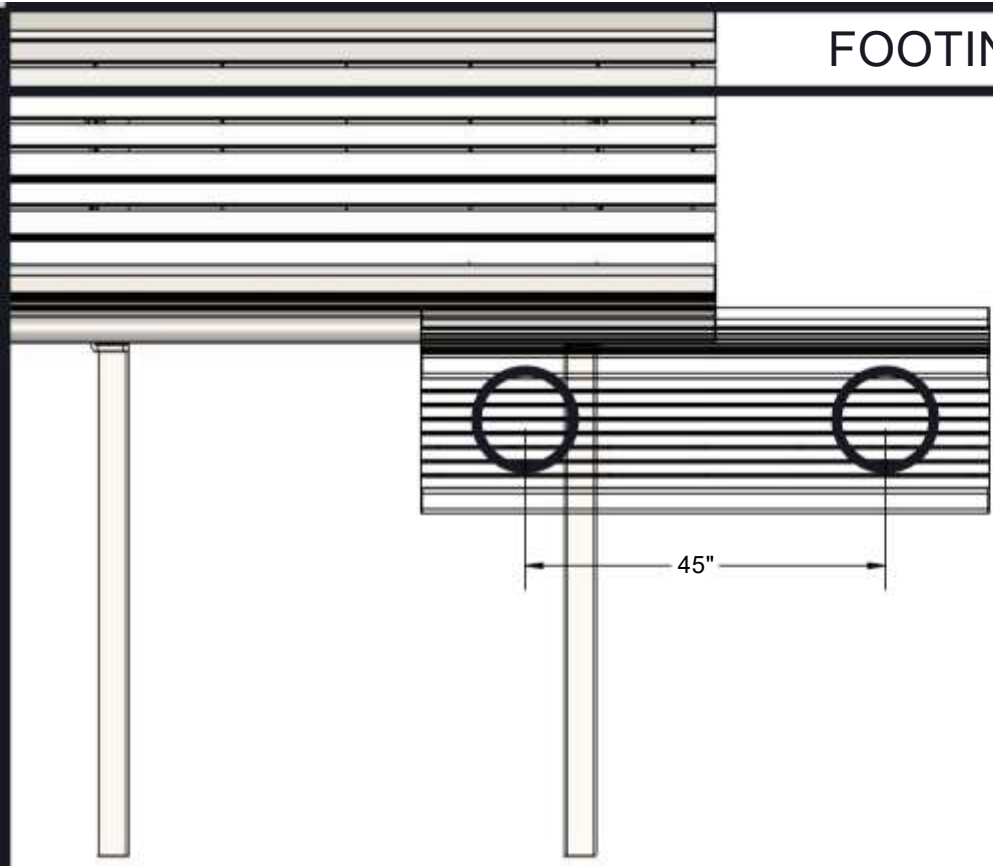
# COMPONENTS

Attach the seats to the frames using specified hardware.

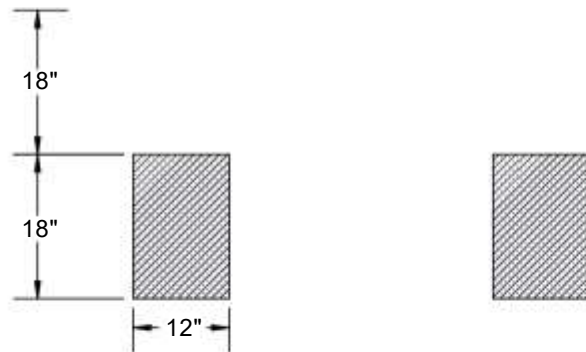


| ITEM NO. | PartNo       | DESCRIPTION                     | QTY |
|----------|--------------|---------------------------------|-----|
| 1        | P-01-01-0412 | 81 Series S Leg-Right           | 1   |
| 2        | P-01-01-0670 | 81 Series S Leg-Left            | 1   |
| 3        | P-01-01-0415 | 6' Richmond Series Seat         | 2   |
| 4        | 33-05-0049   | 3/8" x 1 1/2" Machine Bolt (SS) | 8   |
| 5        | 33-02-0008   | 3/8" Flat Washer (SS)           | 16  |
| 6        | 33-03-0013   | 3/8" Kep Nut (SS)               | 8   |

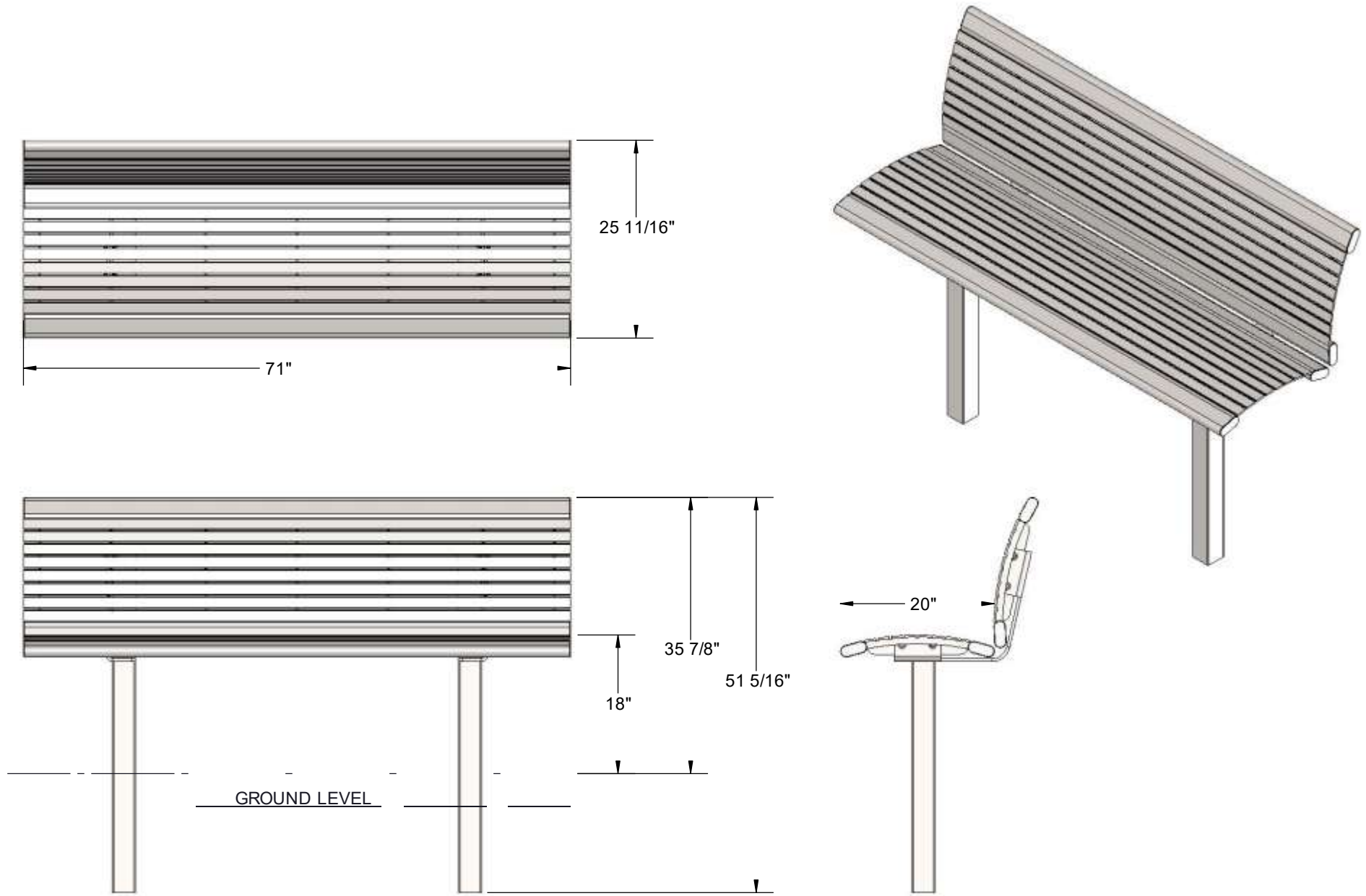
# FOOTING DETAILS



Estimated Required Concrete:  
7 - 50lb Bags of Concrete Mix



# OVERALL DIMENSIONS



## Color & Metal Options

### ESSENTIALS AMENITIES | TEXTURED POLYETHYLENE ESSENTIALS AMENITIES | METAL DESIGNS

Our textured polyethylene coating is backed by a [7-year limited warranty](#).



Regal | RC  
3/4" #9 expanded metal inside

a 2" x 2" iron frame



Innovated | INNV  
3/8" diameter punched steel with round corners



Perforated | PERF  
3/8" diameter punched

steel with rolled corners



Rolled | ROLL  
3/4" #9 expanded metal with rolled edges



Classic | CLASS  
3/4" #9 expanded metal inside ribbed steel with rolled edges



### BASIC AMENITIES | THERMOPLASTIC

Our thermoplastic coating is backed by a [7-year limited warranty](#).



### POWDER COAT

Our Superdurable powder coat is backed by a [5-year limited warranty](#).

Gloss



Matte, Textured & Metallic



### BASIC AMENITIES | METAL DESIGNS

UltraLeisure® | UL  
3/4" #9 expanded metal inside a 1" x 1 1/8" metal strap frame



### MOUNTING OPTIONS



Portable



In-ground



Surface Mount

### RECYCLED UPTOWN AMENITIES | RECYCLED PLANKS

Our recycled plastic planking is backed by a [10-year limited warranty](#).



Superior Shelter



Superior Shade



## Product Showcase

Don't just stop at site amenities! We have shade and shelter options available in many shapes and sizes to meet the needs of your outdoor space. We also offer an extensive line of steel and recycled playgrounds that are sure to be the star of your space. Create the perfect outdoor gathering space, no matter how big or small, by utilizing all of Superior's great product lines. Visit [srpshelter.com](#), [srpshade.com](#), and [srpplayground.com](#) for more information.



Superior Playgrounds

*Colors are for reference only. Ask your representative for color samples.*